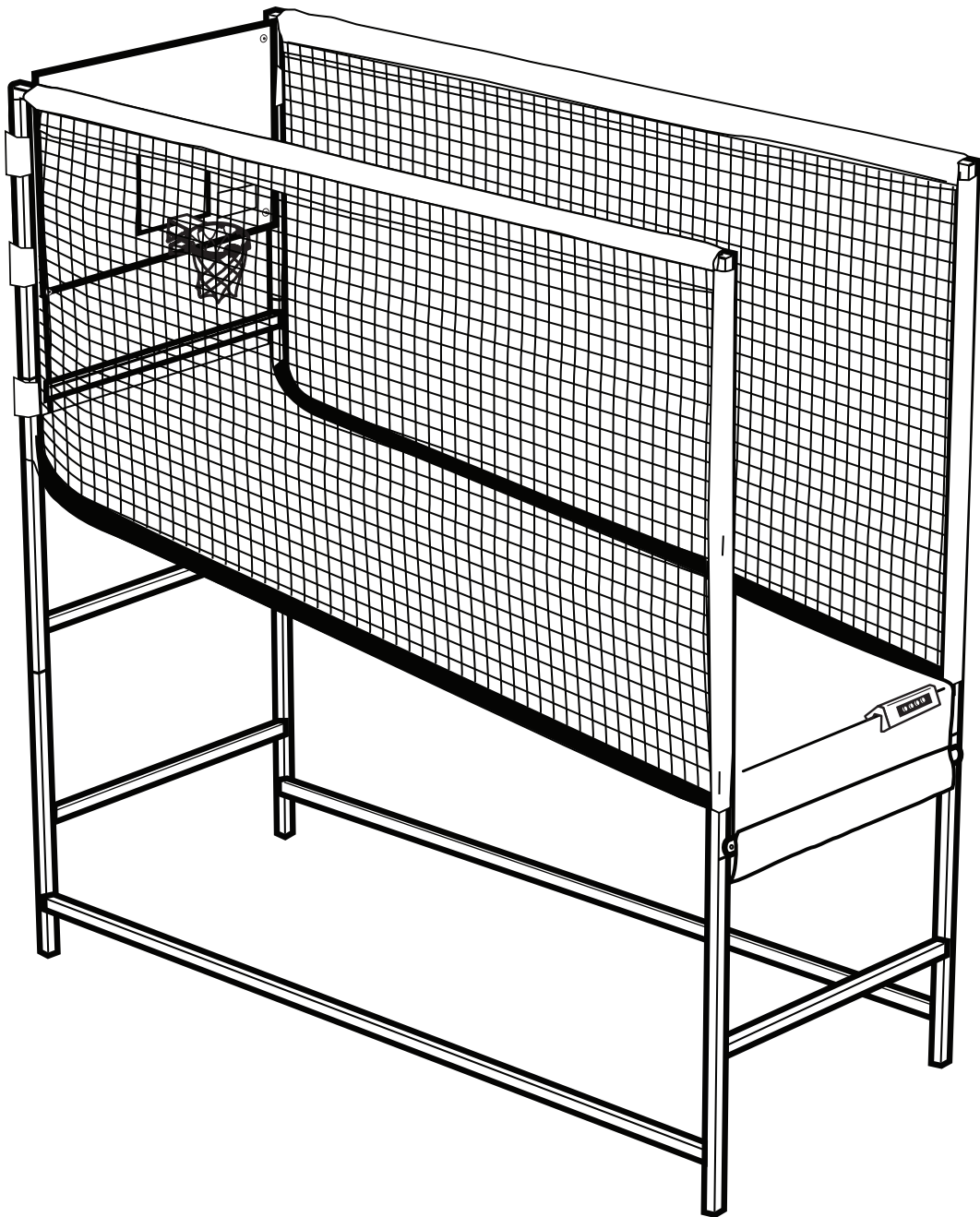


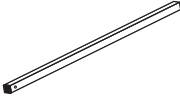
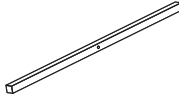
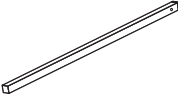
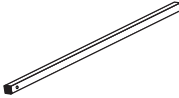
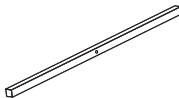
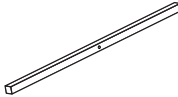



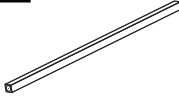
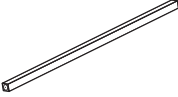

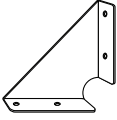
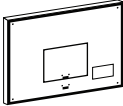
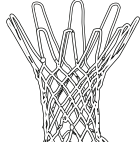
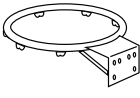
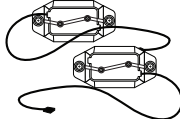
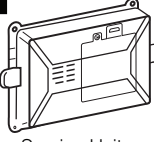
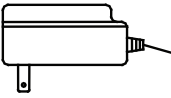
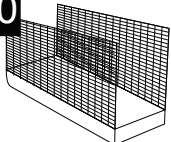
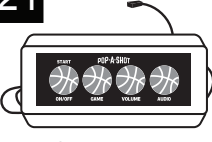


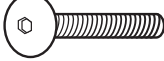

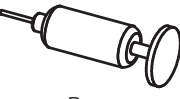





POP-A-SHOT®

PRO I SINGLE OWNER'S MANUAL



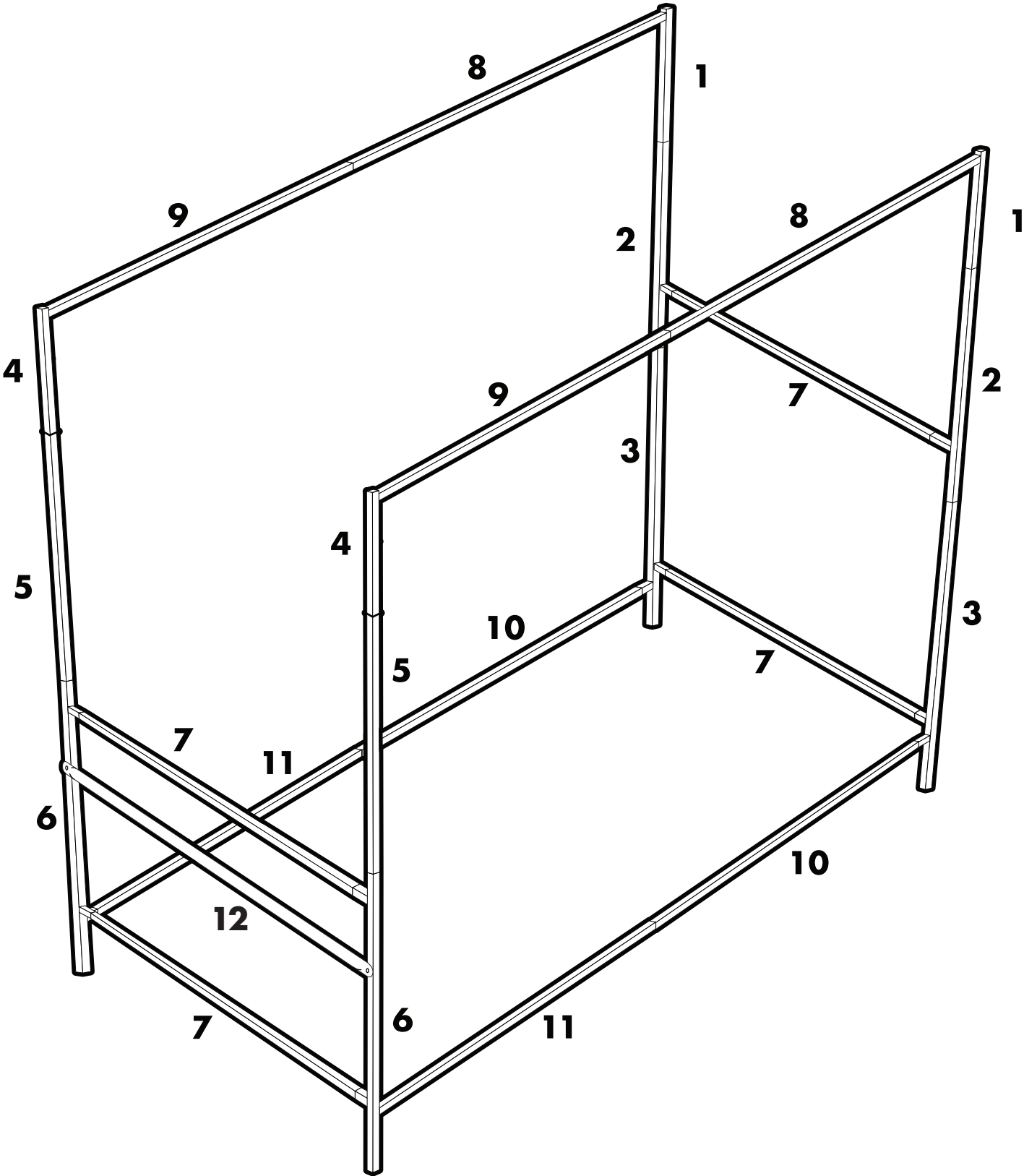


PARTS LIST

<p>1</p>  <p>Rear Vertical Tube, Top x2</p>	<p>2</p>  <p>Rear Vertical Tube, Middle x2</p>	<p>3</p>  <p>Rear Vertical Tube, Bottom x2</p>	<p>4</p>  <p>Front Vertical Tube, Top x2</p>	<p>5</p>  <p>Front Vertical Tube, Middle x2</p>
<p>6</p>  <p>Front Vertical Tube, Bottom x2</p>	<p>7</p>  <p>Horizontal Tube x4</p>	<p>8</p>  <p>Upper Side Tube, Rear x2</p>	<p>9</p>  <p>Upper Side Tube, Front x2</p>	<p>10</p>  <p>Lower Side Tube, Rear x2</p>
<p>11</p>  <p>Lower Side Tube, Front x2</p>	<p>12</p>  <p>Lean Bar x1</p>	<p>13</p>  <p>Braces x4</p>	<p>14</p>  <p>Backboard x1</p>	<p>15</p>  <p>Rim Net x1</p>
<p>16</p>  <p>Rim x1</p>	<p>17</p>  <p>Sensors x2</p>	<p>18</p>  <p>Scoring Unit x1</p>	<p>19</p>  <p>AC Adapter x1</p>	<p>20</p>  <p>Ball Return Ramp x1</p>
<p>21</p>  <p>Control Panel x1</p>	<p>22</p>  <p>Balls x4</p>	<p>23</p>  <p>Short Screw x18</p>	<p>24</p>  <p>Long Screw x16</p>	<p>25</p>  <p>Washer x34</p>
<p>26</p>  <p>Pump x1</p>	<p>27</p>  <p>Rim Bolt x4</p>	<p>28</p>  <p>Rim Washer x8</p>	<p>29</p>  <p>Rim Nut x4</p>	<p>30</p>  <p>Scoring Bolt x4</p>
<p>31</p>  <p>Screws x8</p>	<p>Parts #17, #18 and #21 are in brown box</p>			

POP-A-SHOT® PRO SINGLE

FRAME ASSEMBLY

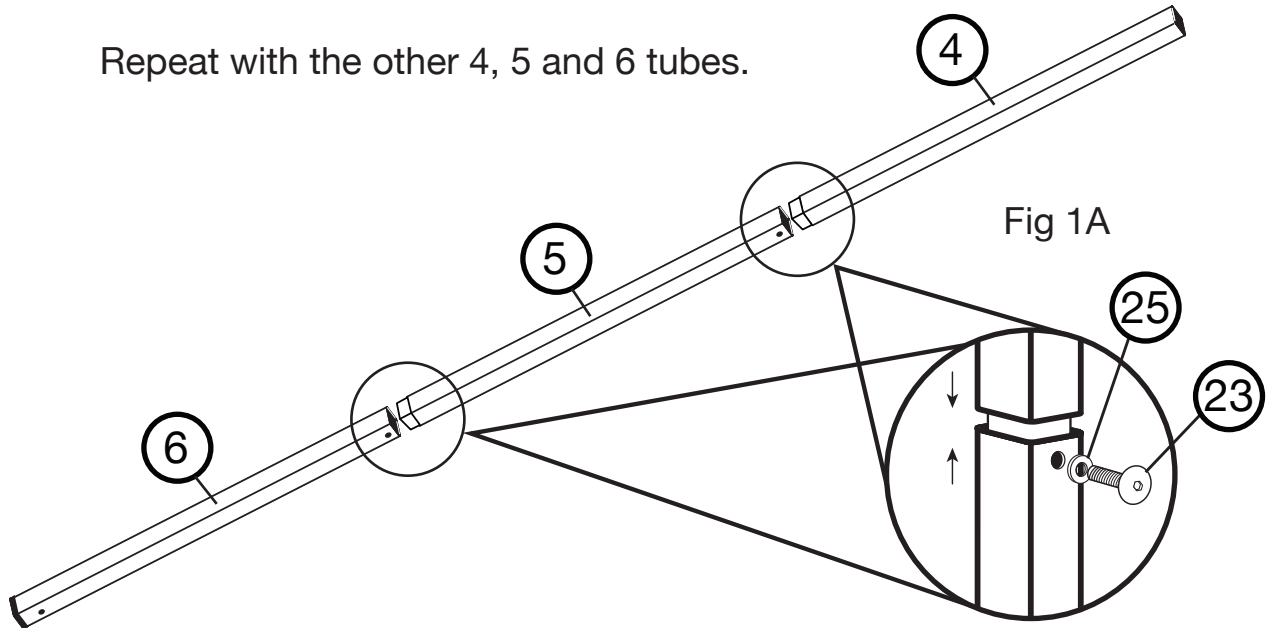


STEP 1

Connect a **Front Vertical Tube, Top** (#4) to a **Front Vertical Tube, Middle** (#5) and tighten with a **Short Screw** (#23) and **Washer** (#25) (Fig 1A).

Connect the other end of the **Front Vertical Tube, Middle** (#5) to the **Front Vertical Tube, Bottom** (#6) and tighten with a **Short Screw** (#23) and **Washer** (#25)(Fig 1A).

Repeat with the other 4, 5 and 6 tubes.

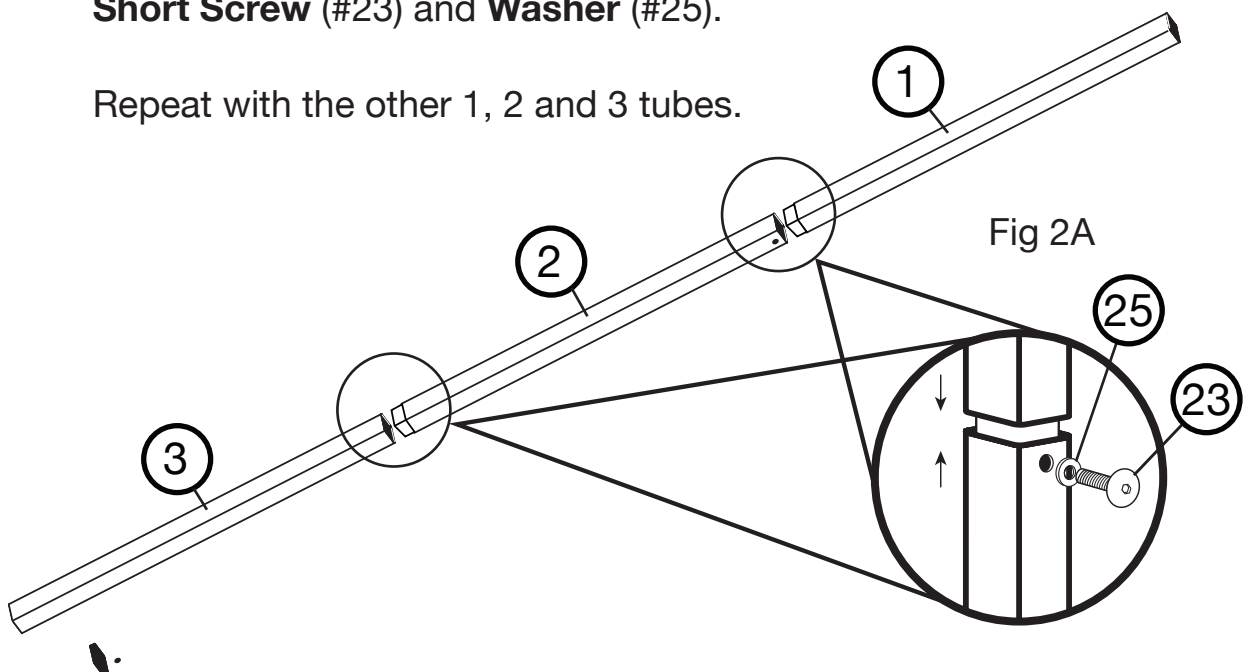


STEP 2

Connect a **Rear Vertical Tube, Top** (#1) to a **Rear Vertical Tube, Middle** (#2) and tighten with a **Short Screw** (#23) and **Washer** (#25) (Fig 2A).

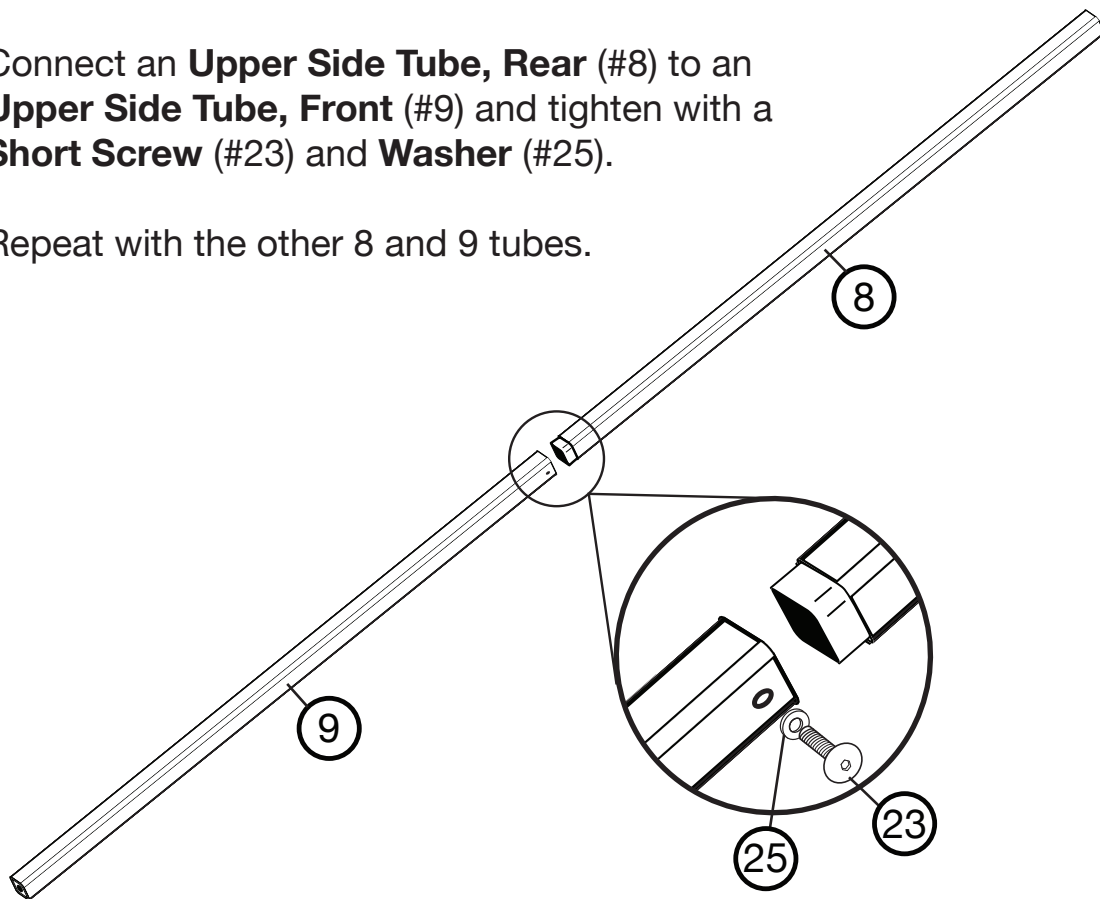
Connect the other end of the **Rear Vertical Tube, Middle** (#2) to the **Rear Vertical Tube, Bottom** (#3) and tighten with a **Short Screw** (#23) and **Washer** (#25).

Repeat with the other 1, 2 and 3 tubes.



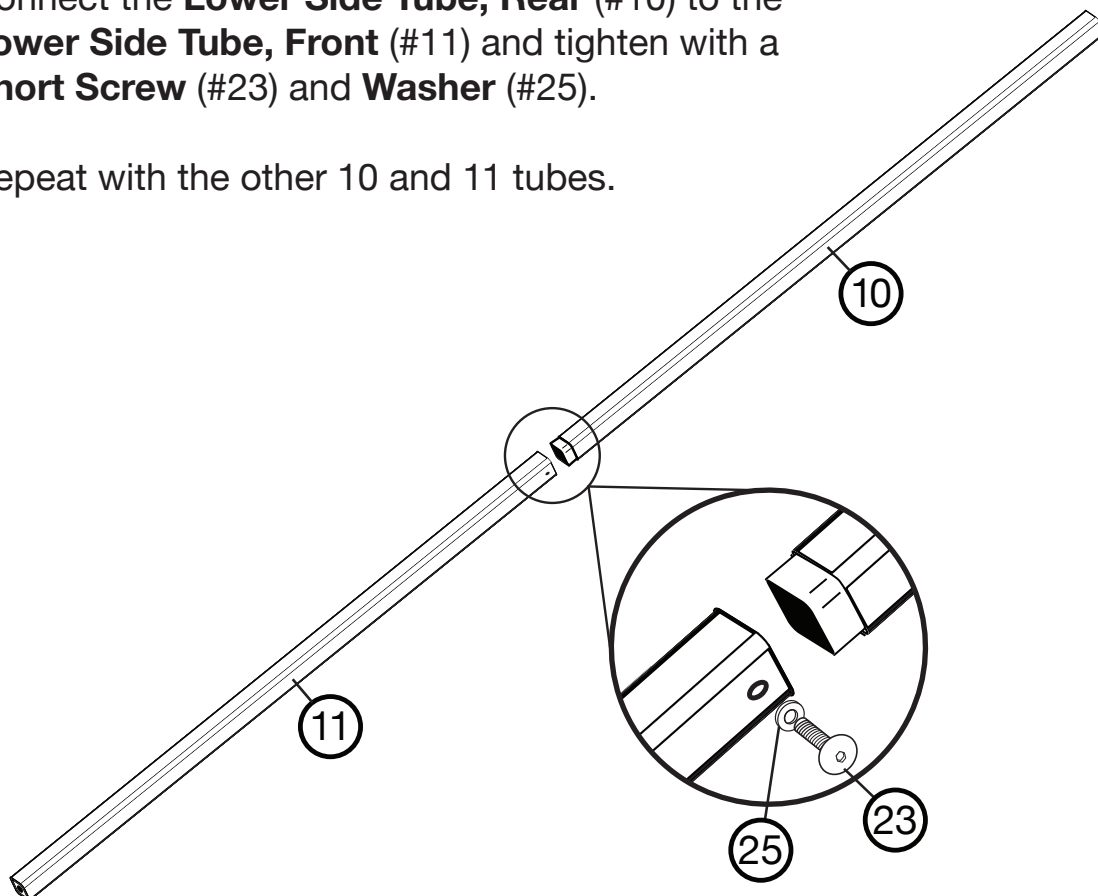
STEP 3 Connect an **Upper Side Tube, Rear** (#8) to an **Upper Side Tube, Front** (#9) and tighten with a **Short Screw** (#23) and **Washer** (#25).

Repeat with the other 8 and 9 tubes.



STEP 4 Connect the **Lower Side Tube, Rear** (#10) to the **Lower Side Tube, Front** (#11) and tighten with a **Short Screw** (#23) and **Washer** (#25).

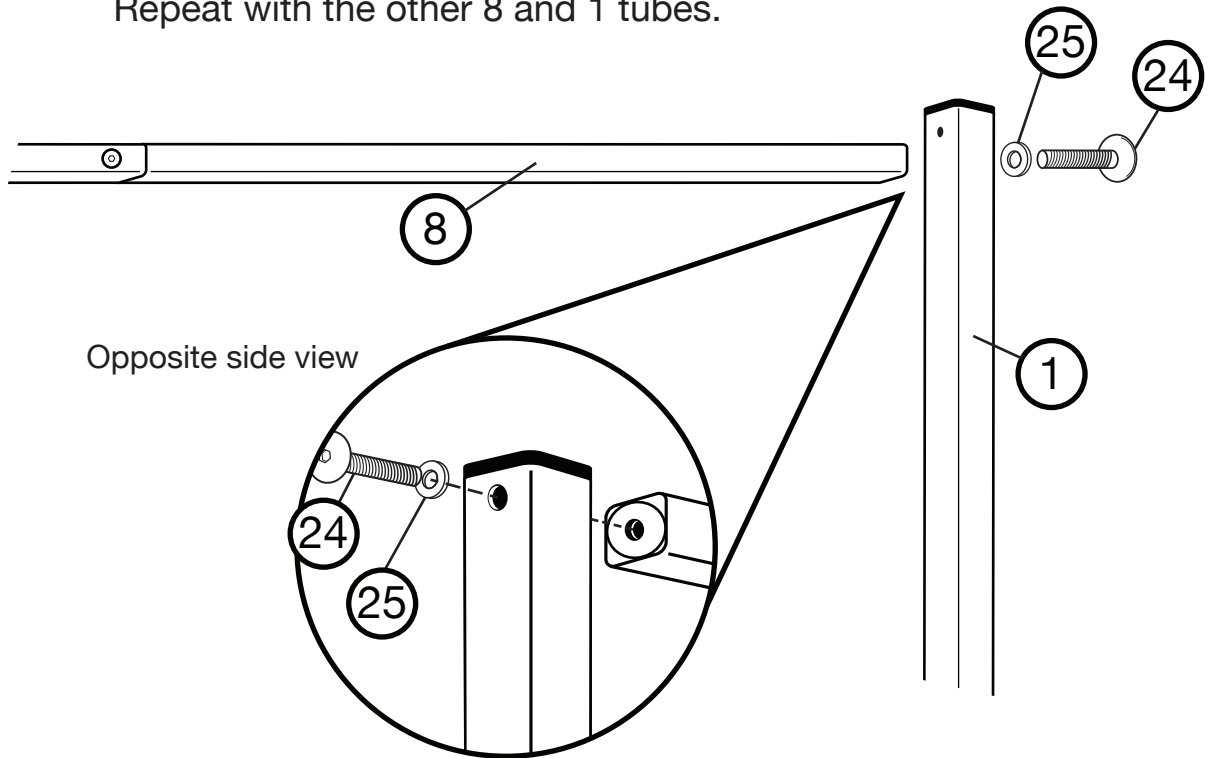
Repeat with the other 10 and 11 tubes.



STEP 5

Attach an **Upper Side Tube, Rear (#8)** to a **Rear Vertical Tube, Top (#1)** using a **Long Screw (#24)** and **Washer (#25)**.

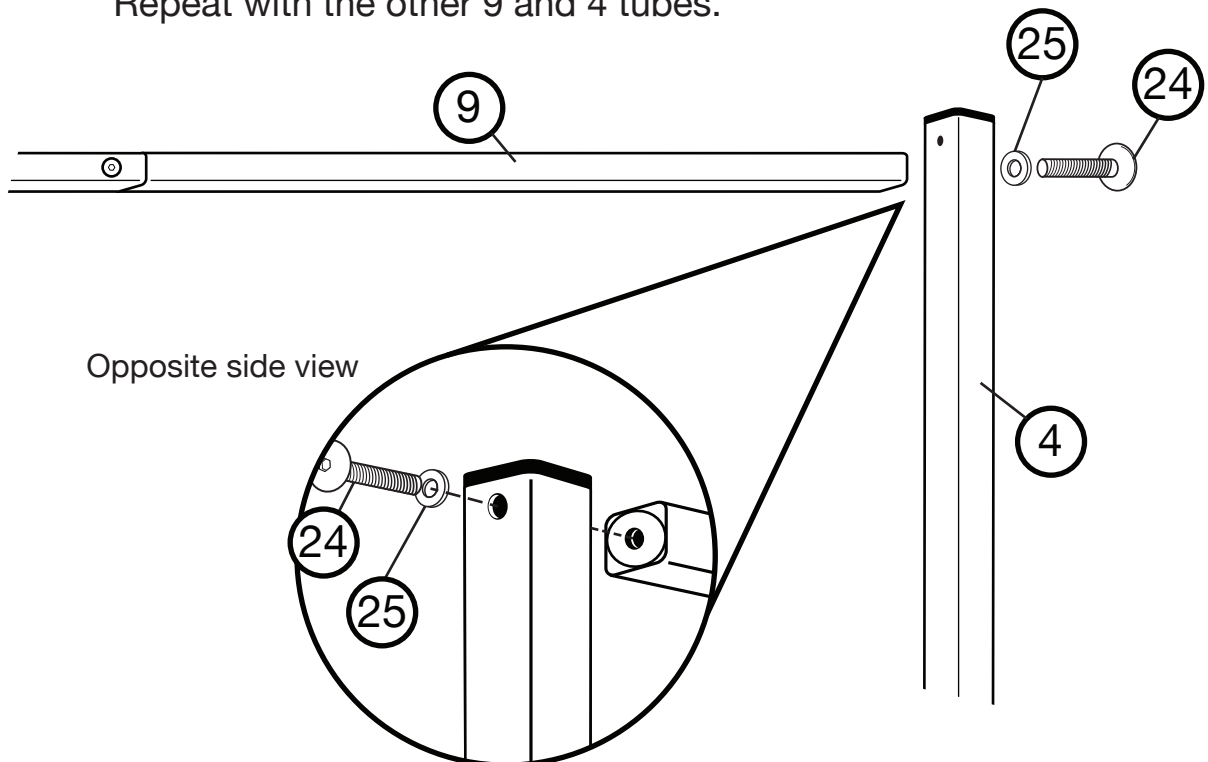
Repeat with the other 8 and 1 tubes.



STEP 6

Attach an **Upper Side Tube, Front (#9)** to a **Front Vertical Tube, Top (#4)** using a **Long Screw (#24)** and **Washer (#25)**.

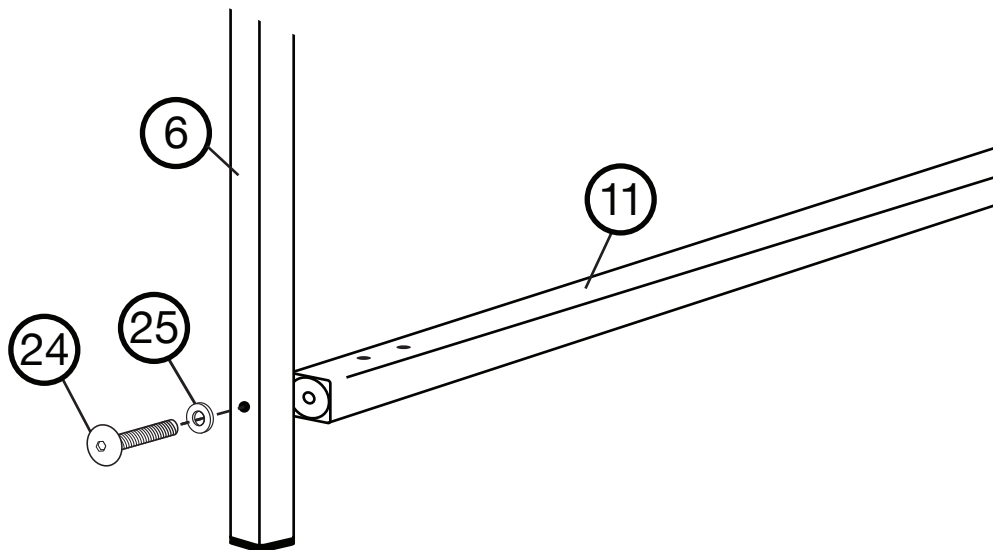
Repeat with the other 9 and 4 tubes.



STEP 7

Attach a **Lower Side Tube, Front** (#11) to a **Front Vertical Tube, Bottom** (#6) using a **Long Screw** (#24) and a **Washer** (#25).

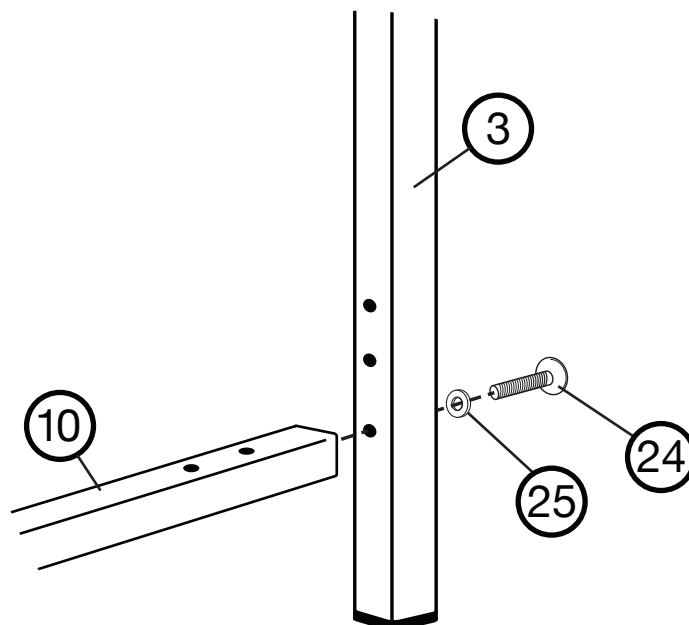
Repeat with the other 11 and 6 tubes.



STEP 8

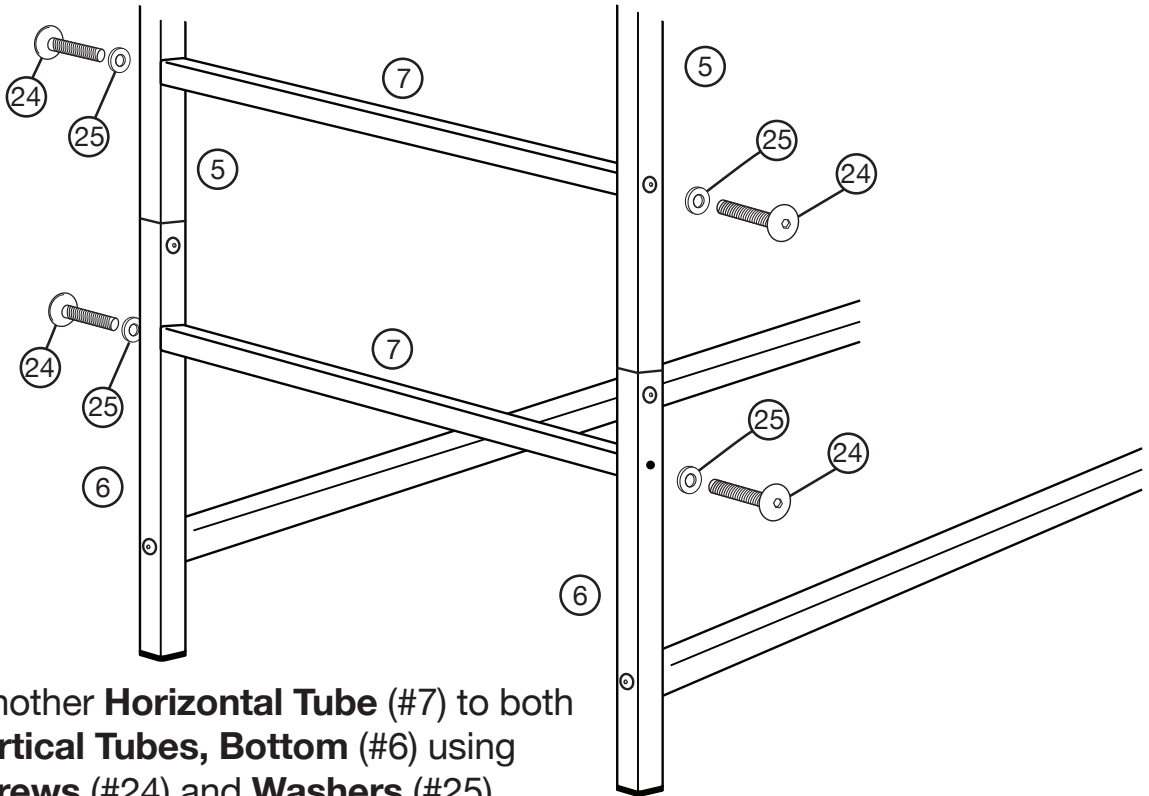
Attach a **Lower Side Tube, Rear** (#10) to a **Rear Vertical Tube, Bottom** (#3) using a **Long Screw** (#24) and **Washer** (#25).

Repeat with the other 10 and 3 tubes.



STEP 9

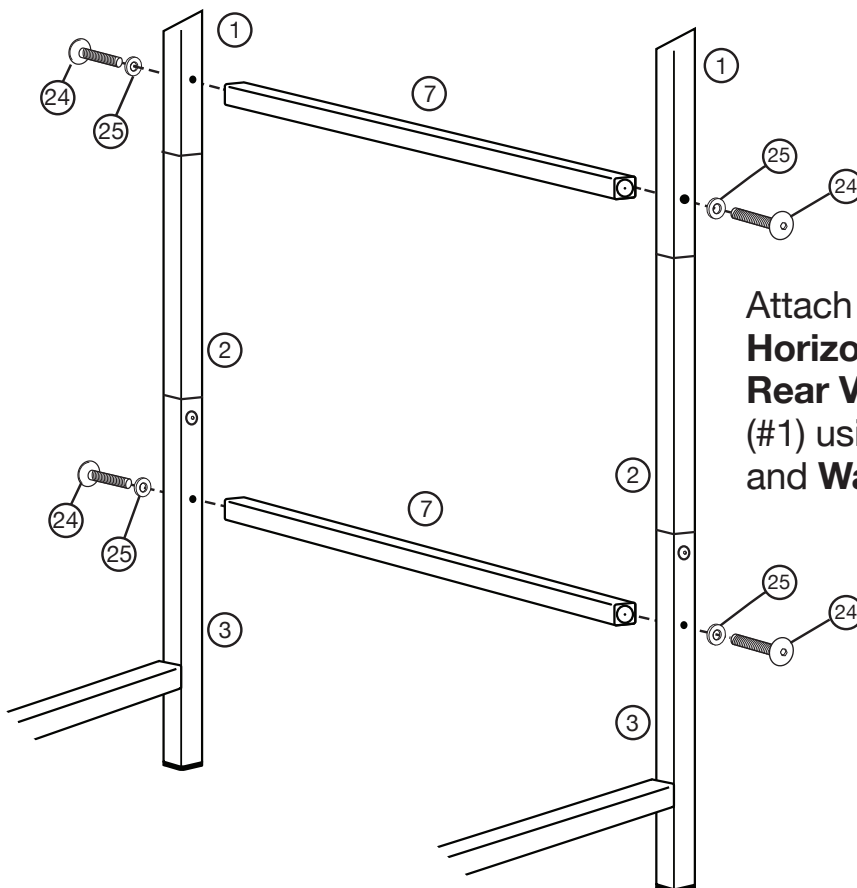
Attach a **Horizontal Tube (#7)** to both **Front Vertical Tubes, Middle (#5)** using **Long Screws (#24)** and **Washers (#25)**.



Attach another **Horizontal Tube (#7)** to both **Front Vertical Tubes, Bottom (#6)** using **Long Screws (#24)** and **Washers (#25)**.

STEP 10

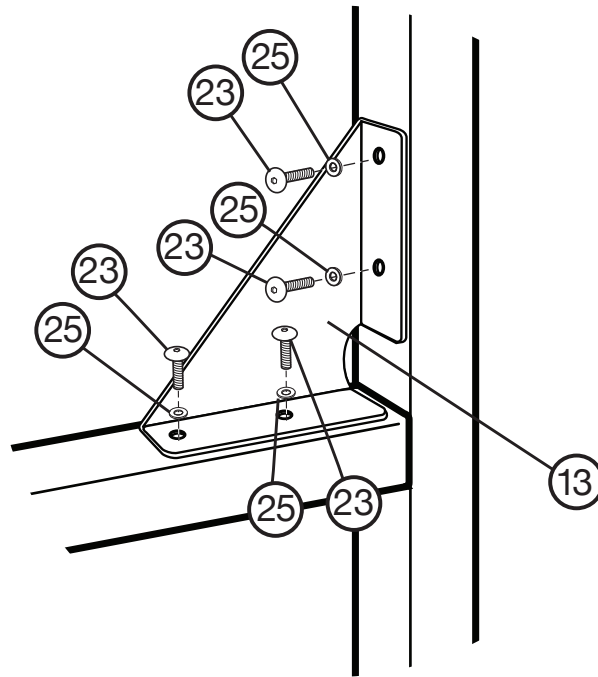
Attach a **Horizontal Tube (#7)** to both **Rear Vertical Tubes, Bottom (#3)** using **Long Screws (#24)** and **Washers (#25)**.



Attach another **Horizontal Tube (#7)** to both **Rear Vertical Tubes, Top (#1)** using **Long Screws (#24)** and **Washers (#25)**.

STEP 11

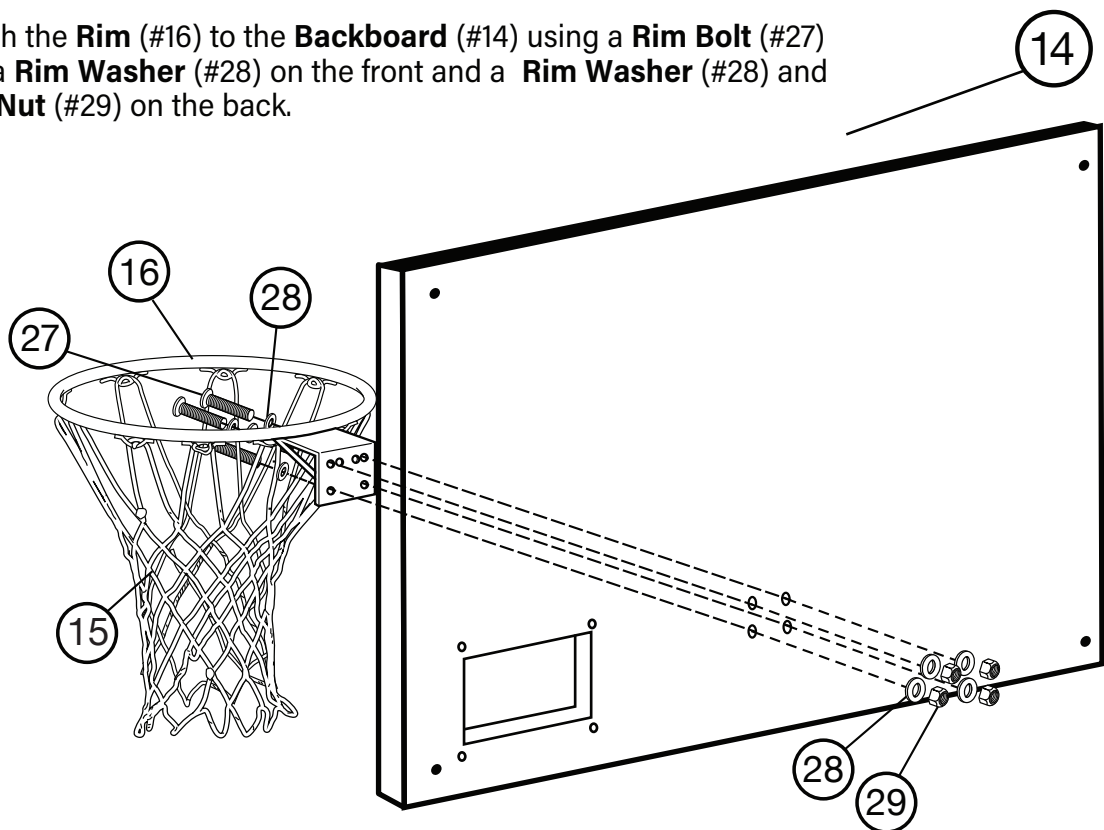
Attach the **Braces** (#13) to the four bottom corners using **Short Screws** (#23) and **Washers** (#25).



STEP 12

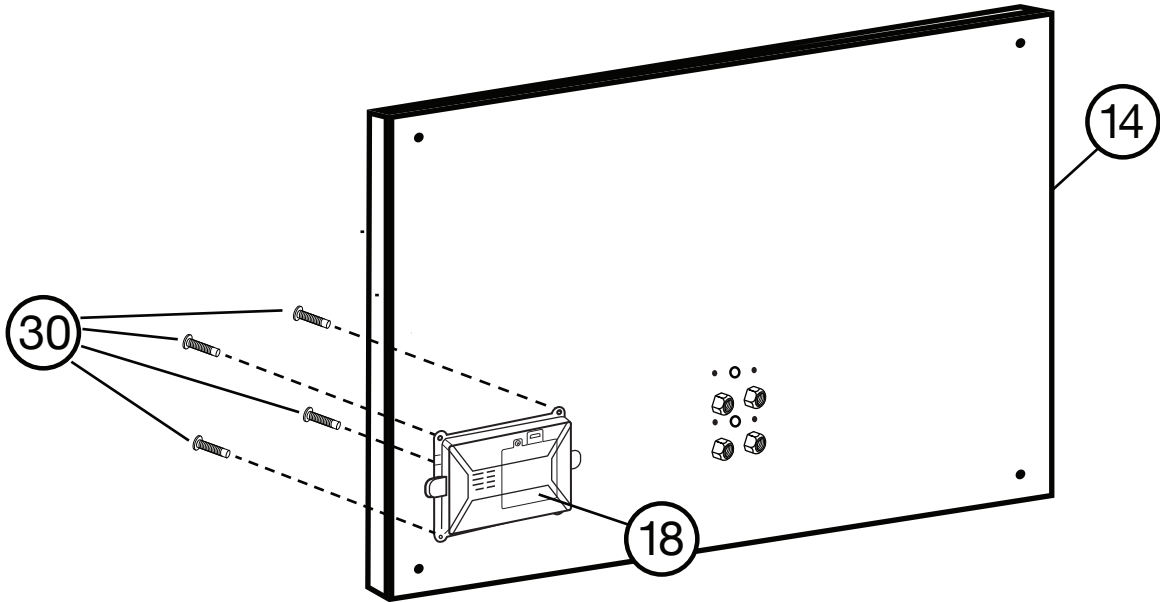
Loop the **Rim Net** (#15) through the Net Hooks on the **Rims** (#16).
Make sure the longer strands are on top and go through the net hooks.

Attach the **Rim** (#16) to the **Backboard** (#14) using a **Rim Bolt** (#27) and a **Rim Washer** (#28) on the front and a **Rim Washer** (#28) and **Rim Nut** (#29) on the back.

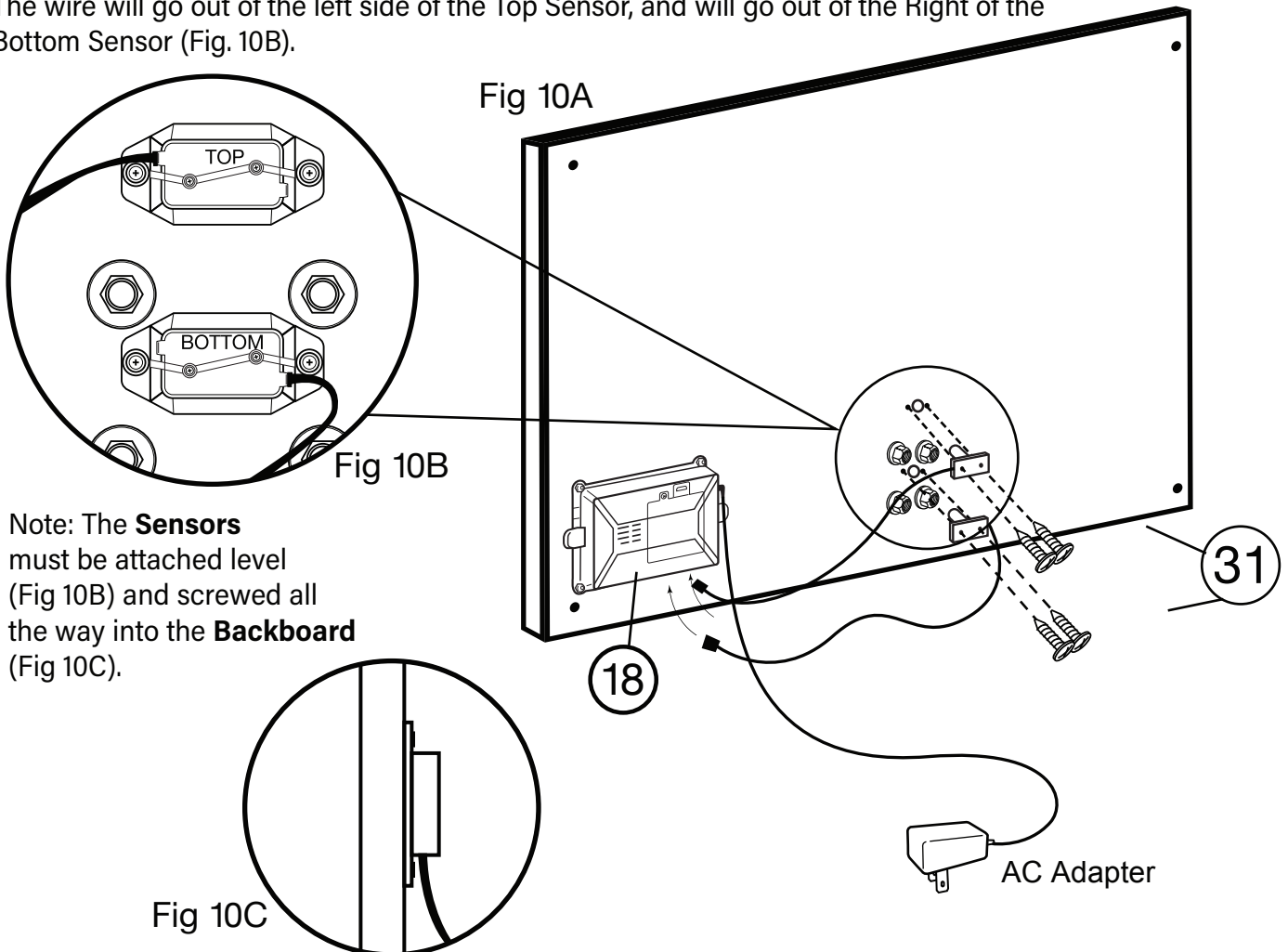


STEP 13

Attach the **Scoring Unit** (#18) to the **Backboard** (#14) with a shorter **Bolt** (#30) through the front of the **Backboard** and the **Scoring Unit**.



Attach the **Sensors** (#17) using the **Screws** (#31) (Fig. 10A). Plug the upper sensor cord into the "Left" outlet and the lower sensor cord into the "Right" outlet on the **Scoring Unit** (#18). The wire will go out of the left side of the Top Sensor, and will go out of the Right of the Bottom Sensor (Fig. 10B).

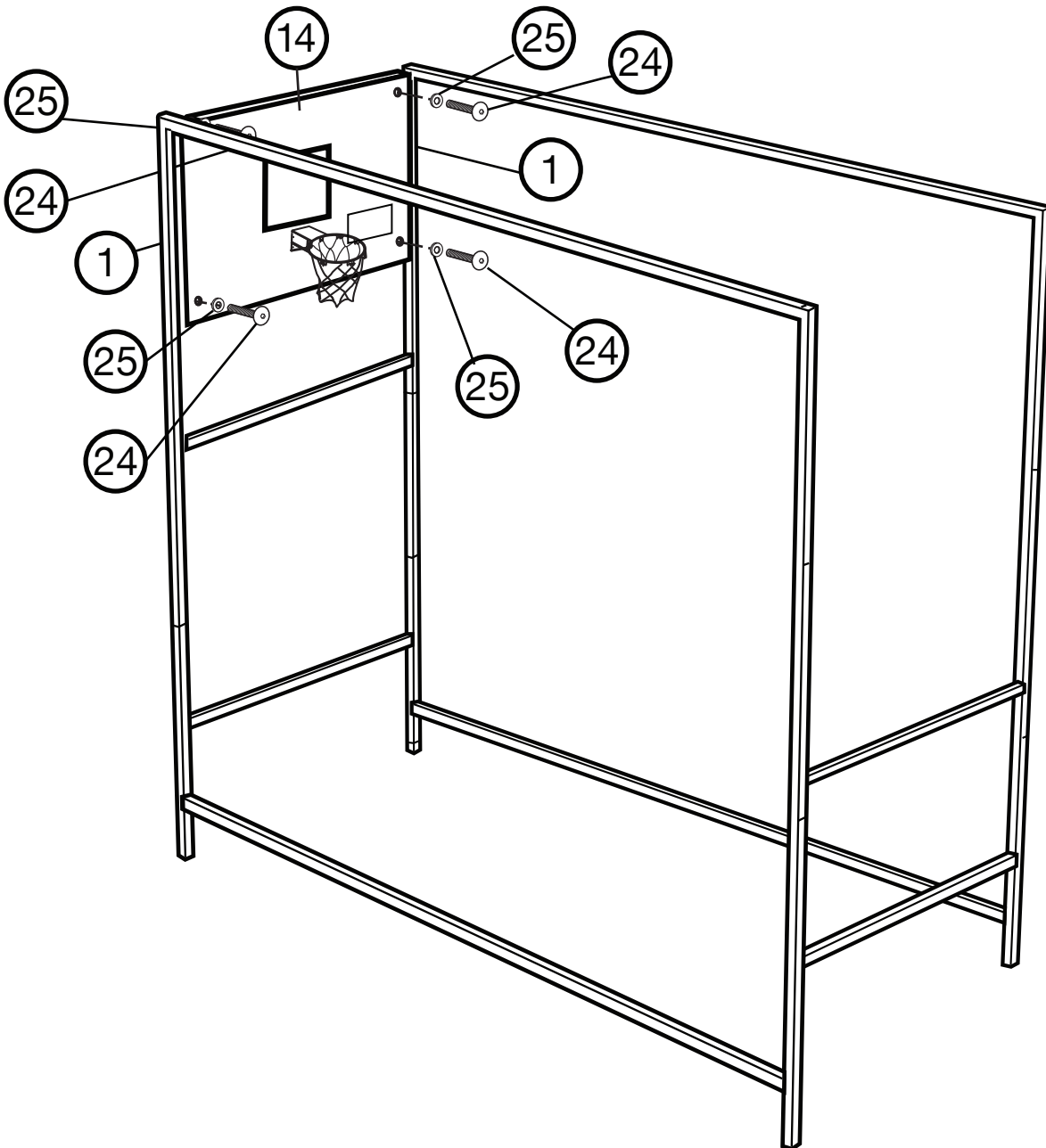


Note: The **Sensors** must be attached level (Fig 10B) and screwed all the way into the **Backboard** (Fig 10C).

Put 4 AA Batteries into **Scoring Unit** (#18) and/or plug in **AC Adapter** (#19) to **Scoring Unit** (#18).

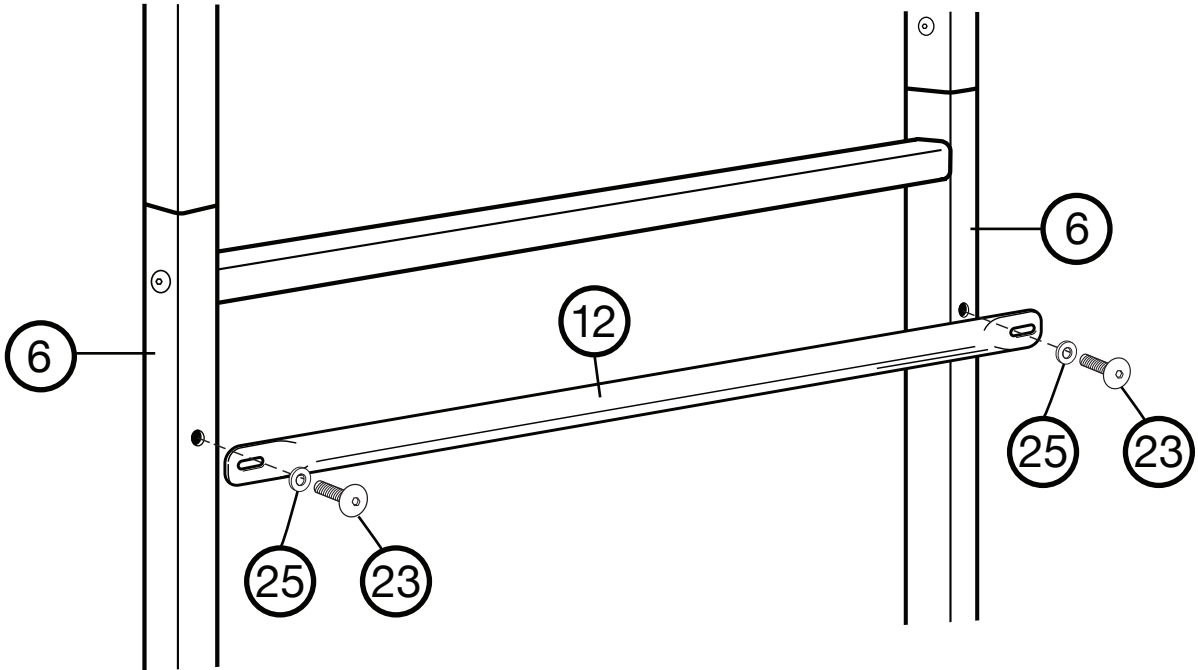
STEP 14

- **Tip:** If you can, grab a helper for this part.
Attach the **Backboard (#14)** to the **Rear Vertical Tubes, Top (#1)** using **Long Screws (#24)** and **Washers (#25)**.



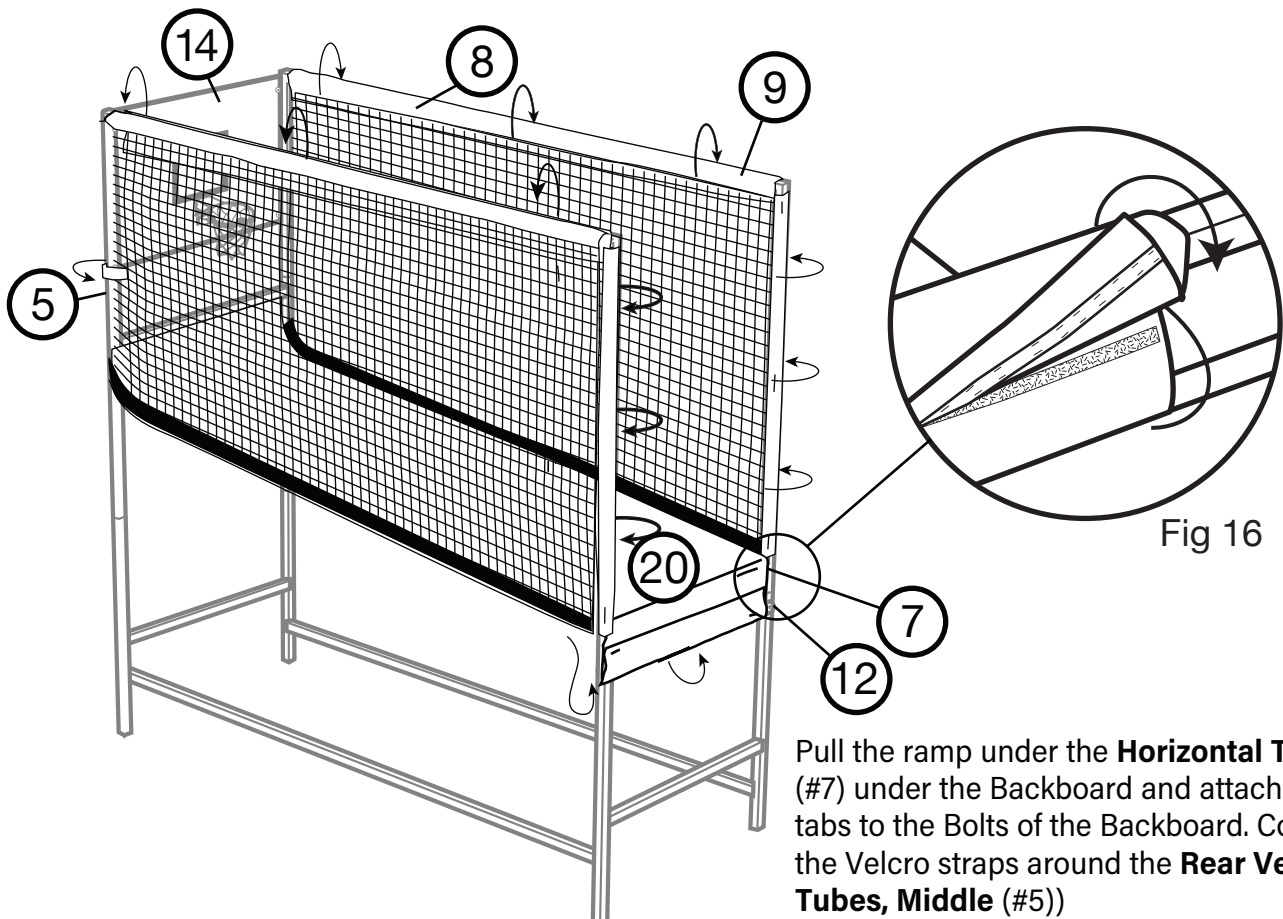
STEP 15

Attach the **Lean Bar (#12)** to the **Front Vertical Tubes, Bottom (#6)** using **Short Screws (#23)** and **Washers (#25)**.



STEP 16


Take the **Ball Return Ramp (#20)** and attach the Velcro sleeves around the **Top Side Tubes (#8) & (#9)**. Pull the Velcro under the **Lean Bar (#12)** and wrap around **Horizontal Bar (#7)**. (Fig 16)

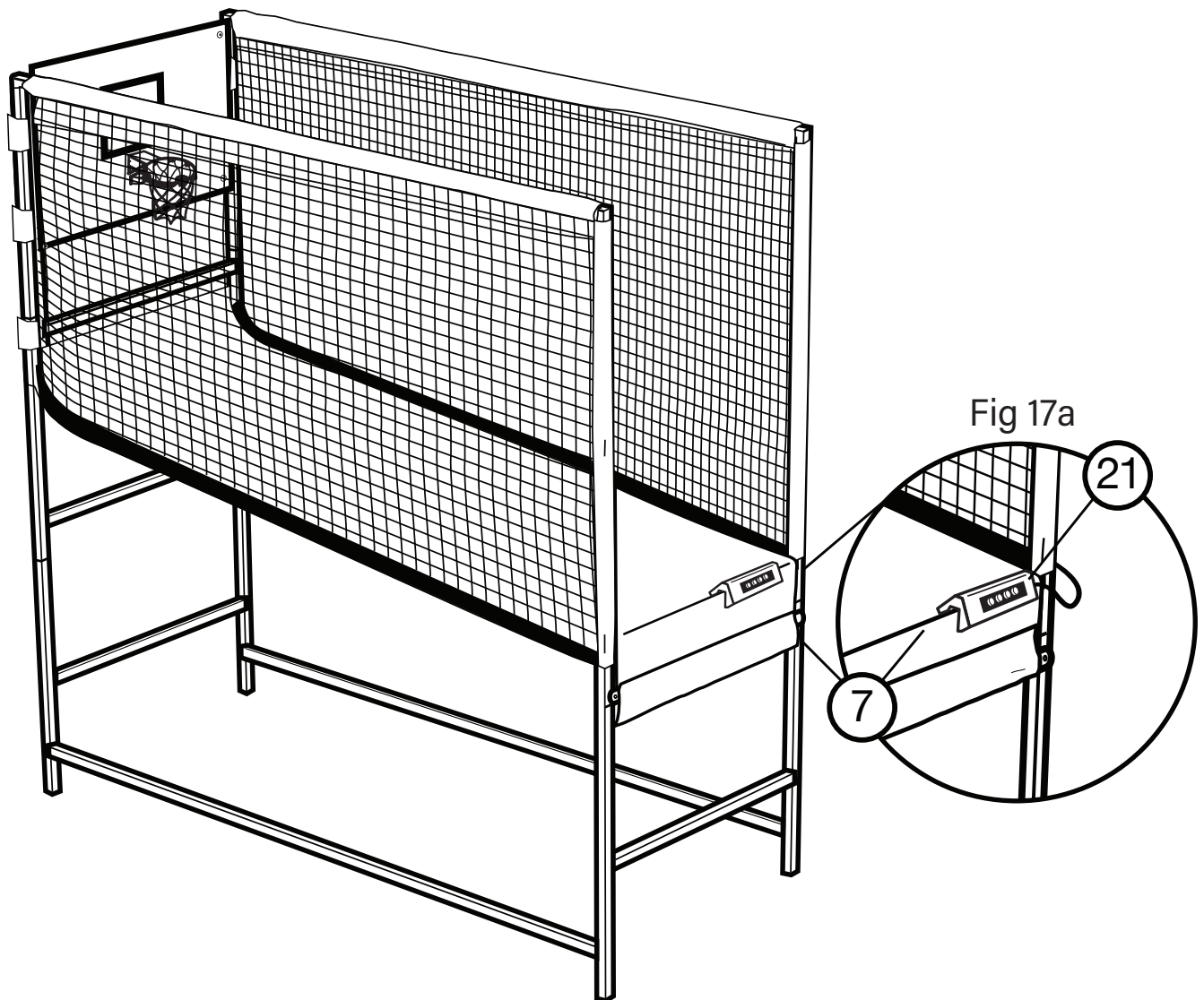


Pull the ramp under the **Horizontal Tube (#7)** under the Backboard and attach the tabs to the Bolts of the Backboard. Connect the Velcro straps around the **Rear Vertical Tubes, Middle (#5)**

STEP 17

Snap the **Control Panel** (#21) onto the **Horizontal Bar** (#7) (Fig 17a). Thread the Control Panel wire through the hole of the laminated Game Operations "Cheat Sheet" until the Cheat Sheet is next to the Control Panel. Take the Control Panel wire and weave it through the side netting towards the back of the backboard. Plug the Control Panel wire into the outlet labeled "Control Panel" in the Scoring Unit.

 **Tip:** You'll find complete game directions and operations in this booklet. The "Cheat Sheet" is intended as a quick handy reference guide



POP-A-SHOT PRO | SINGLE GAME OPERATION

Game Options

Starting a game: Press **START** to start your game.

1. Standard Play

:30 on clock

Announcer and clock count down to start

Baskets are 2 points for 1st :20, then 3 points for final :10 and all bonus time

Bonus: :15 extra at 30 points; :10 extra at 60 points

2. Skeet Shooting

Announcers says "Shoot," then you have :03 to make a basket

3. Double Or Nothing

:30 on clock. First basket counts for 2 points, then each subsequent basket counts for double. If no basket is made within :03, next basket is 2 points

4. Overtime

1:00 on clock. Announcer and clock count down to start

Baskets are 2 points for 1st :20, then 3 points for final :10 and all bonus time

Bonus: :15 extra at 30 points; :10 extra at 60 points

5. Sudden Death

:15 on clock

6. Free Play

All baskets count as 2 points

TROUBLESHOOTING

If your game isn't powering on

- Check that the AC Adapter is plugged into the scoreboard. You can also use 4 AA batteries to power the game.

If your game isn't counting baskets

- Make sure you have chosen a multi-player game (such as Game 1) on your Control Panel.
- Make sure the sensors are securely plugged into the correct outlets in the scoreboard (Step 13).
- Make sure the sensors are attached level, with the screws tightened all the way.
If the sensors are misaligned or angled at all, they will not correctly read the shots (Step 13).
- Check the connection between the sensors and the scoreboard (Step 13).

Please visit www.pop-a-shot.net/support for more troubleshooting tips and hacks.